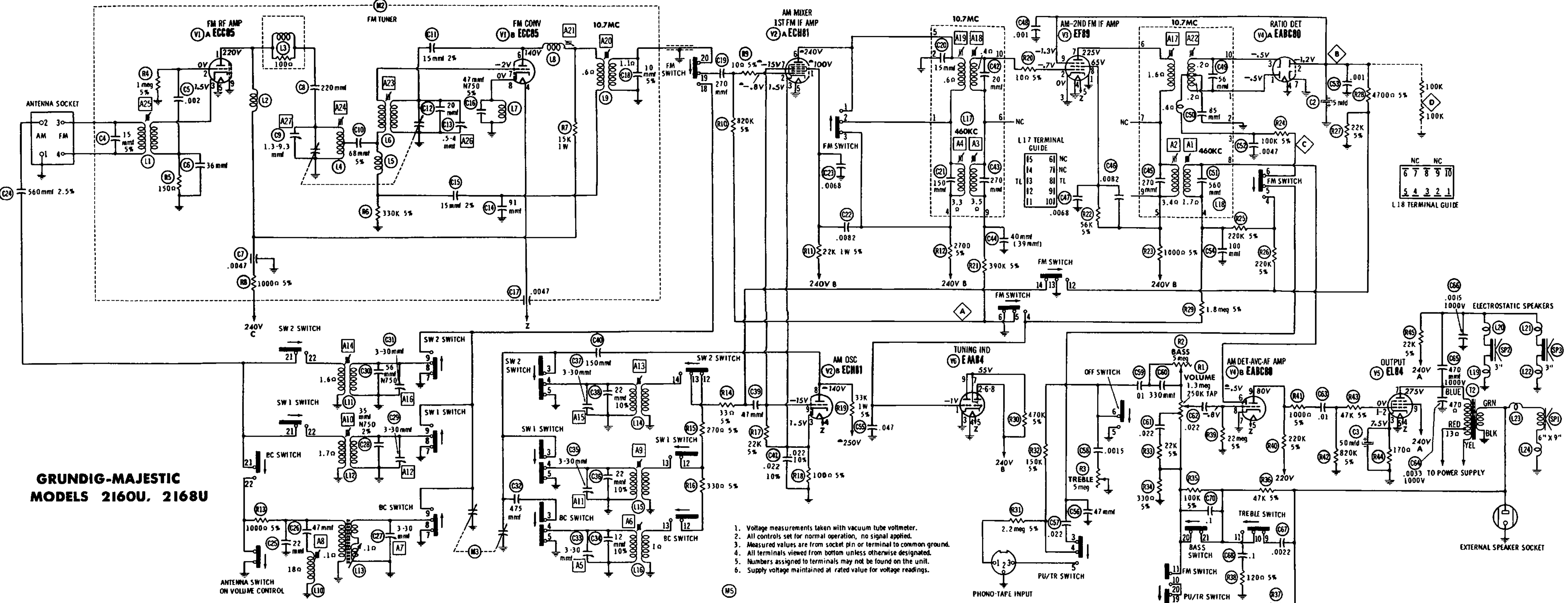
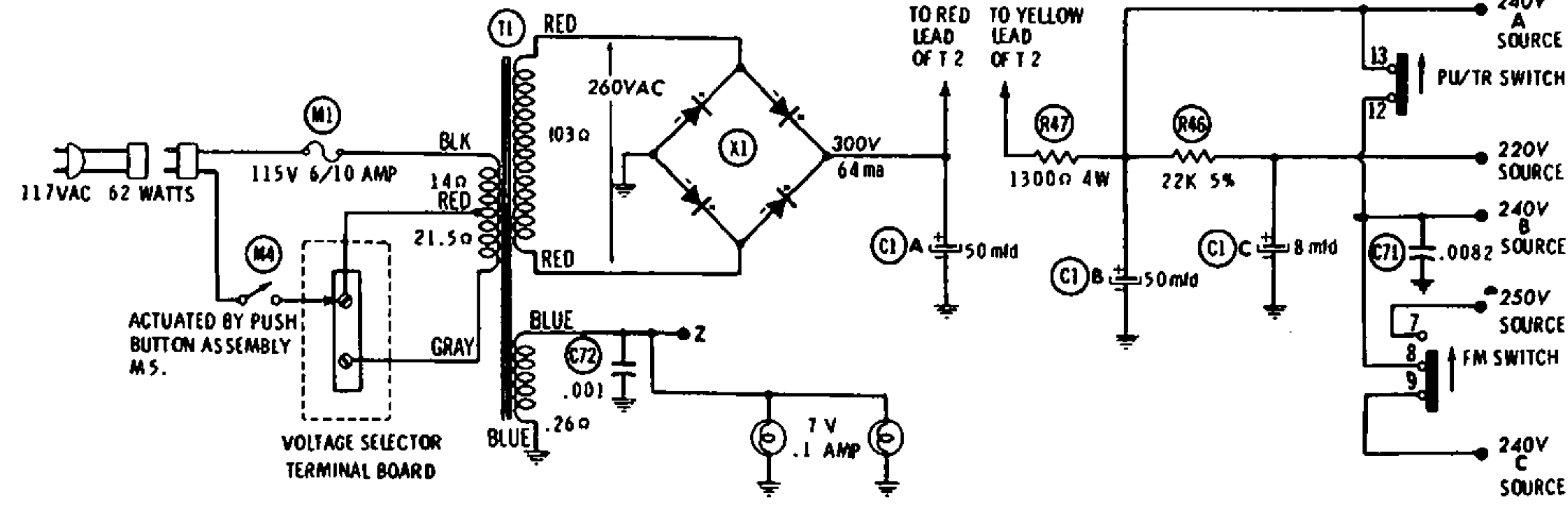
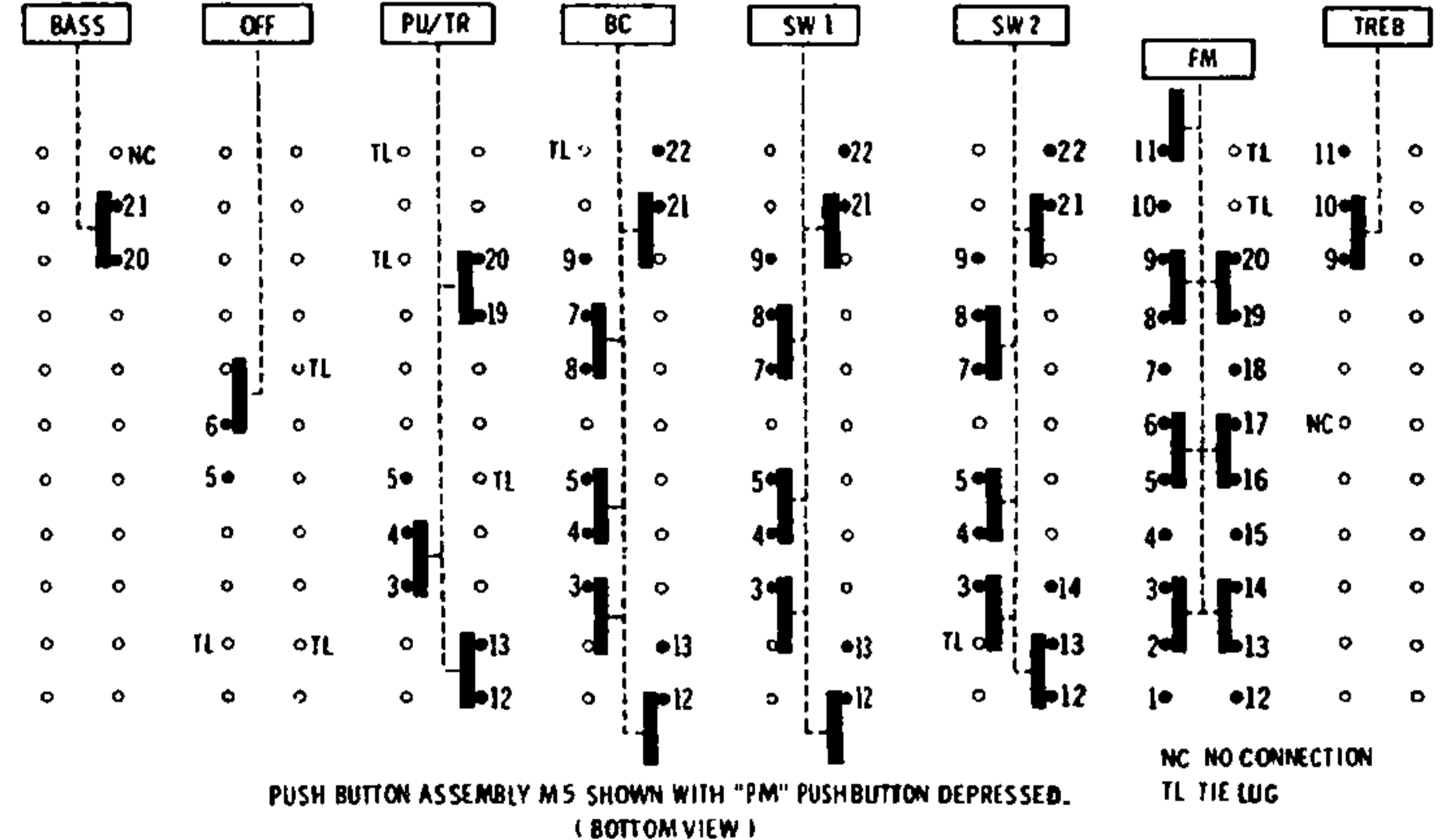
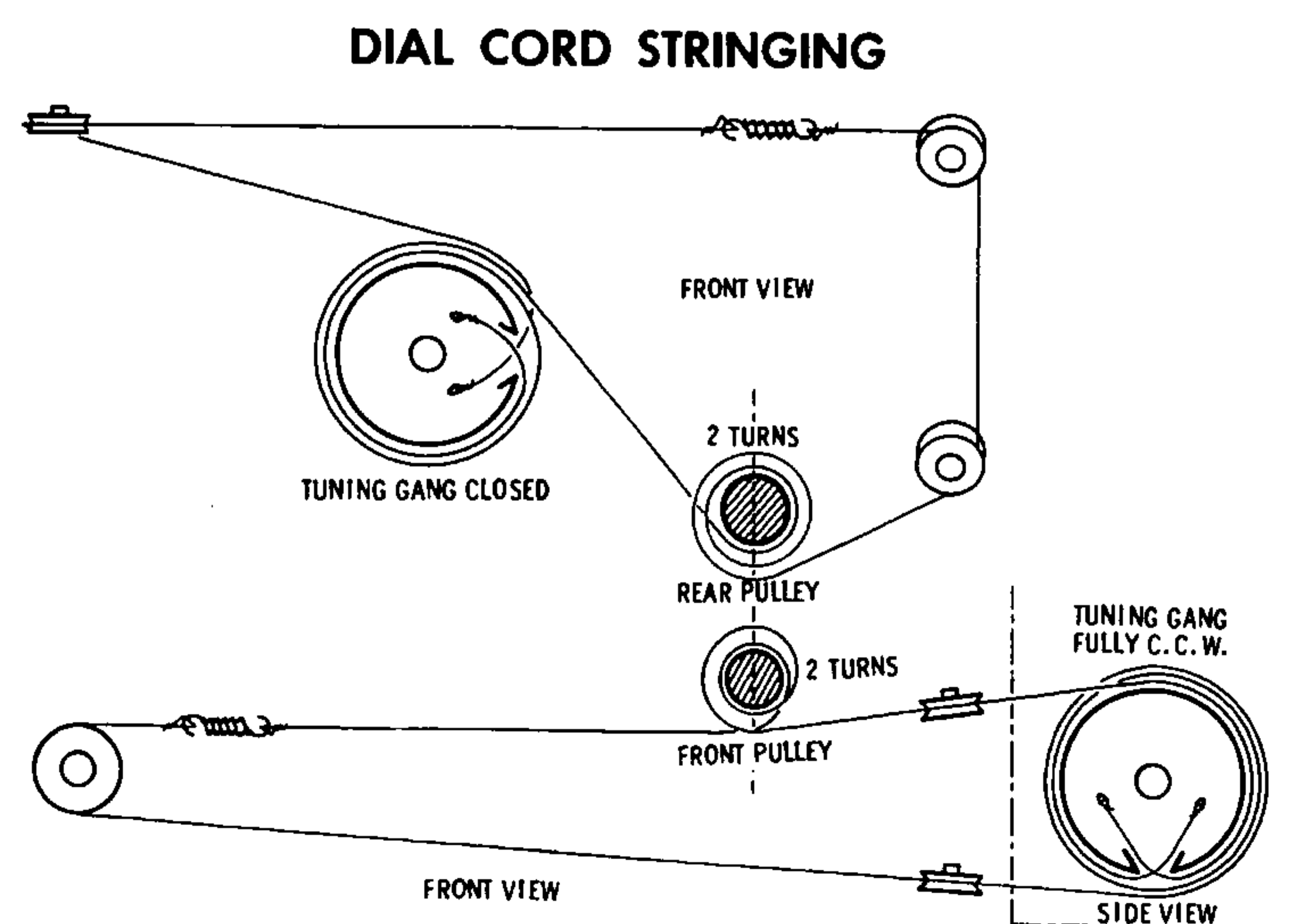


# GRUNDIG 2160U



## GRUNDIG-MAJESTIC MODELS 2160U, 2168U

1. Voltage measurements taken with vacuum tube voltmeter.
2. All controls set for normal operation, no signal applied.
3. Measured values are from socket pin or terminal to common ground.
4. All terminals viewed from bottom unless otherwise designated.
5. Numbers assigned to terminals may not be found on the unit.
6. Supply voltage maintained at rated value for voltage readings.



### RESISTANCE READINGS

ITEM	TUBE	Pin 1	Pin 2	Pin 3	Pin 4	Pin 5	Pin 6	Pin 7	Pin 8	Pin 9
V1	ECC85	1.2300Ω	1 meg	150Ω	FIL	FIL	117K	330K	0Ω	0Ω
V2	ECH81	1.23K	3 meg	100Ω	FIL	FIL	14000Ω	22K	134K	22K
V3	EF89	0Ω	390K	0Ω	FIL	FIL	NC	17300Ω	156K	27K
V4	EA8C80	INF	27K	INF	FIL	FIL	440K	0Ω	22 meg	1243K
V5	EL84	NC	86K	170Ω	FIL	FIL	NC	1460Ω	NC	11300Ω
V6	EL84	2.2 meg	NC	0Ω	FIL	FIL	11300Ω	1471K	NC	1471K

ALL MEASUREMENTS TAKEN IN "FM" POSITION UNLESS OTHERWISE DESIGNATED.  
 \* MEASURED IN "AM" POSITION.  
 † MEASURED FROM B+ SOURCE.  
 NC NO CONNECTION